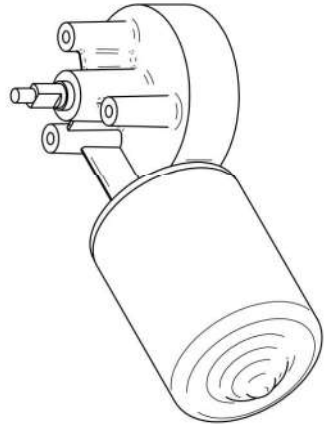
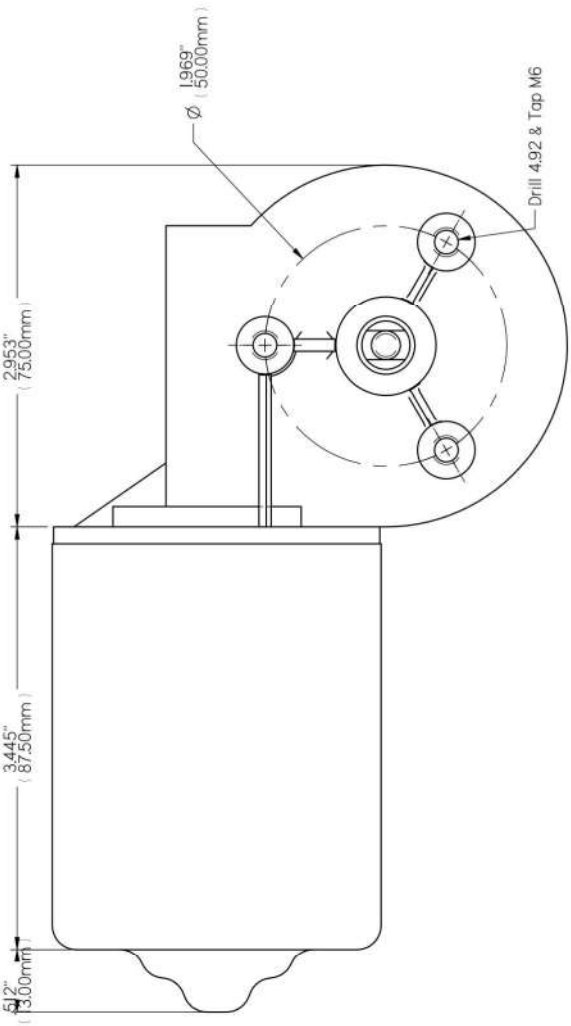
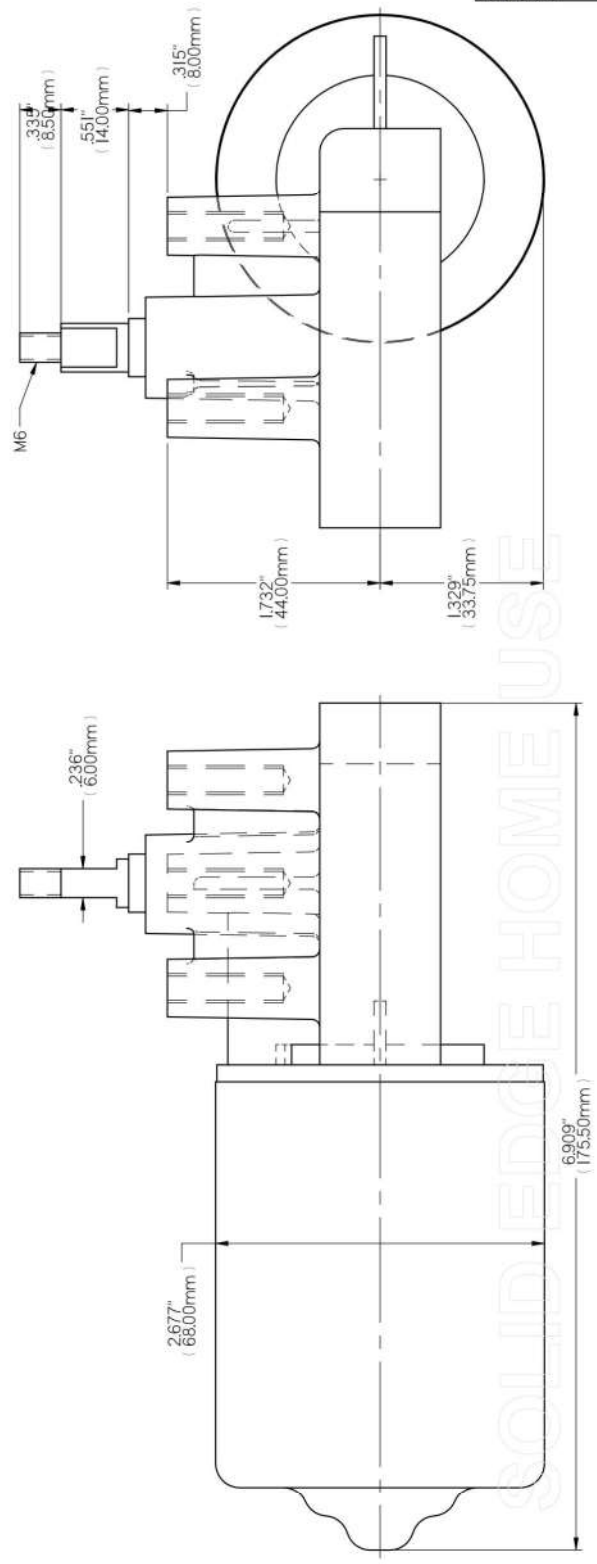


REV	DESCRIPTION	DATE	APPROVED



NOTE: FOR PN01007-38, SHAFT LENGTH IS 0.886" LONG. SHAFT CONFIGURATION IS "D" SHAFT PROFILE WHERE FLAT TO OD IS 0.322". NO THREADED END.



NAME	DATE	MAKERMOTOR.COM
DRAWN	PROJ COMP	FILE
CHECKED		
DESIGN APPR		
REG APPR		
UNLESS OTHERWISE SPECIFIED DIMENSIONS ARE IN INCHES ANGLES IN DEGREES		
SCALE	2 PL. MAX 3 PL. MAX	SHEET 1 OF 1

SIZE	REV
D	1

12V DC Drive Motor  
 WM 12V  
 FILE NAME: WM 12V.DWT